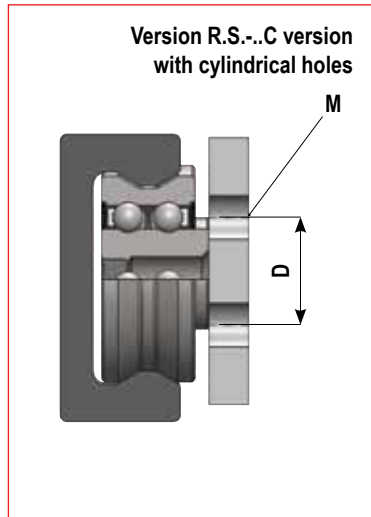
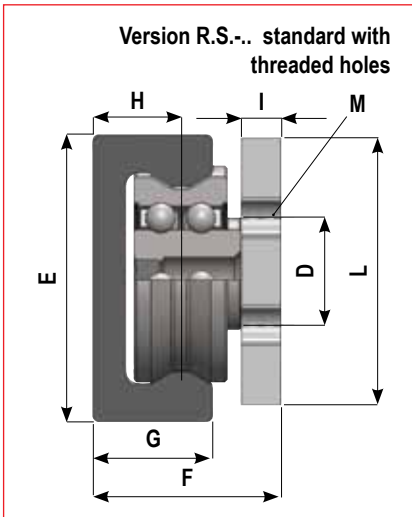


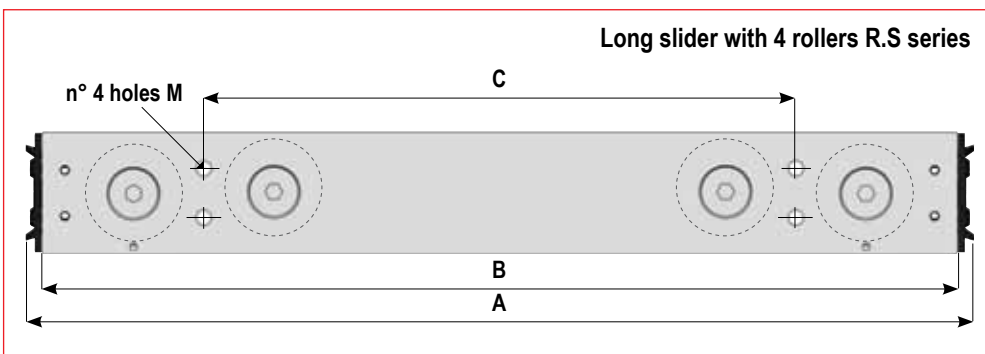
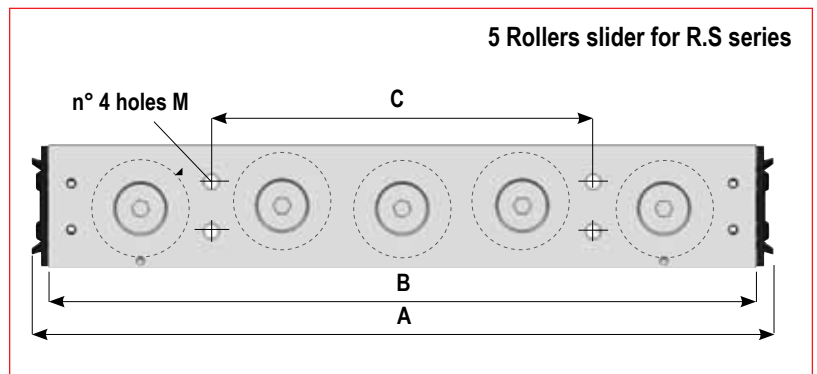
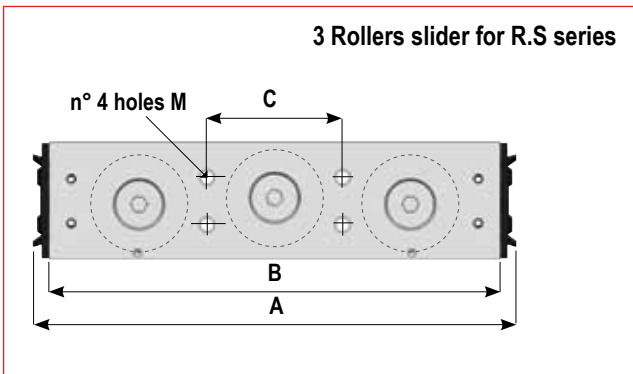
Very compact slider, with slim strong slider body, for application with limited space. Performance like standard R-sliders including self aligning concept. Featuring extra long 4-roller version to optimize performance with only 1 slider, instead of 2 sliders.

Guiding slider series RVS.



The sliders are available in standard version with threaded fixing holes R.S.-.. and in version ...C with through passing holes for inside fixing with standard cylindrical screws DIN912, with no interference with the rollers.

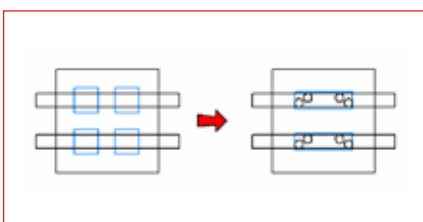
Slider type	M	Type of fixing screws
R.GS18-..	M4	
R.GS18-..C	Ø 4,5	M4 DIN912
R.S.28-..	M5	
R.S.28-..C	Ø 5,5	M5 DIN912
R.S.43-..	M6	
R.S.43-..C	Ø 6,5	M6 DIN912



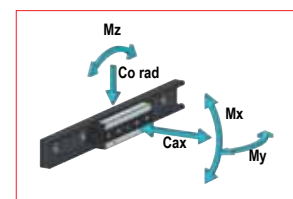
INOX Versions

The sliders in dimensions 28 and 43 are also available in INOX for version RVSX and RPSX. The rollers are hardened AISI 440, while slider body AISI 304.

The load capacities are identical to the standard version of RVS and RPS.



The extra long slider body for 4-roller sliders R.S.-4L are made to offer an economical alternative for the many cases where 2 sliders are used, merely for proportional reasoning, rather than for load capacities. Too very economical sliders for high M_z and M_y moment capacities.



Example of order codes.

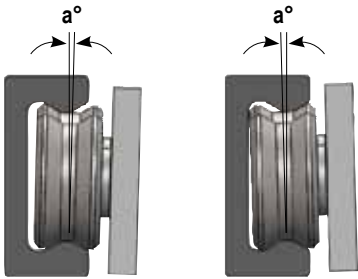
RVS28-3 : Guiding Slim-slider with 3 roller

RPS43-4LC : Extra long rotation Slim-slider with 4 rollers and cylindrical fixing holes

RVSX28-5: INOX guiding Slim-slider with 5 rollers

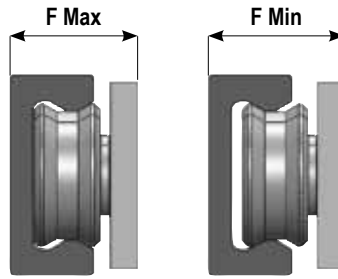
Rotating slider RAS series

Series	(+/-) a°
RAS18	1,5
RAS28	1,5
RAS43	1,5



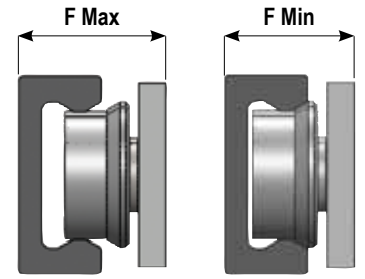
Floating slider RPS series

Series	(+/-) a°	F Min	F Max
RPS18	1,5	14,3	15,3
RPS28	1,5	17,6	18,8
RPS43	1,5	27,2	28,2



Extra floating slider RFS series

Series	(+/-) a°	F Min	F Max
RFS43	1,5	27,2	30,2



Code	Rail type	E (mm)	F (mm)	G (mm)	H (mm)	I (mm)	L (mm)	A (mm)	B (mm)	C (mm)	D (mm)	Weight (gr)	C (N)	Co rad (N)	Co ax (N)	Mx (Nm)	My (Nm)	Mz (Nm)
RVGS18-3	MRG18	18	14,8	9,5	7,1	3	15	83	73	21	8	75	3300	1600	690	3	9	16
RPGS18-3													3300	1600	0	0	0	16
RAGS18-3													3300	1600	460	3	9	16
RVGS18-5								112	102	50	8	120	4455	2160	1150	6	19	49
RPGS18-5													4455	2160	0	0	0	49
RAGS18-5													4455	2160	690	6	19	49
RVGS18-4L								160	150	98	8	125	3300	1600	920	6	27	78
RPGS18-4L													3300	1600	0	0	0	78
RAGS18-4L													3300	1600	460	6	27	78
RVS.28-3.	MR28	28	18,2	12	8	4	25	118	108	32,5	10	140	6000	3200	1380	9	30	52
RPS.28-3.													6000	3200	0	0	0	52
RAS.28-3.													6000	3200	920	9	30	52
RVS.28-5.								166	156	82	10	210	8100	4320	2300	18	52	130
RPS.28-5.													8100	4320	0	0	0	130
RAS.28-5.													8100	4320	1380	18	52	130
RVS.28-4L.								210	200	126	10	230	6000	3200	1840	18	73	202
RPS.28-4L.													6000	3200	0	0	0	202
RAS.28-4L.													6000	3200	920	18	73	202
RVS.43-3.	MR43	43	28,2	18	13,2	6	40	164	153	46	16	440	14200	7200	3210	32	98	165
RPS.43-3.													14200	7200	0	0	0	165
RAS.43-3.													14200	7200	1240	32	98	165
RFS.43-3.								14200	7200	0	0	0	165					
RVS.43-5.								241	230	124	16	670	19170	9720	5350	64	180	440
RPS.43-5.													19170	9720	0	0	0	440
RAS.43-5.													19170	9720	3210	64	180	440
RFS.43-5.								19170	9720	0	0	0	440					
RVS.43-4L.								311	300	194	16	750	14200	7200	4280	64	257	698
RPS.43-4L.	14200	7200	0	0	0	698												
RAS.43-4L.	14200	7200	2140	64	257	698												
RFS.43-4L.	14200	7200	0	0	0	698												